



DATA SHEET

Tail Star

Position/Strobe LED Light

General information

Tail Star is **LED position/strobe light**. It is designed for LSA, Ultralight, KIT and Experimental aircraft. The light is very compact and efficient, always ensuring you to be clearly visible in the air. **Tail Star** can work as:

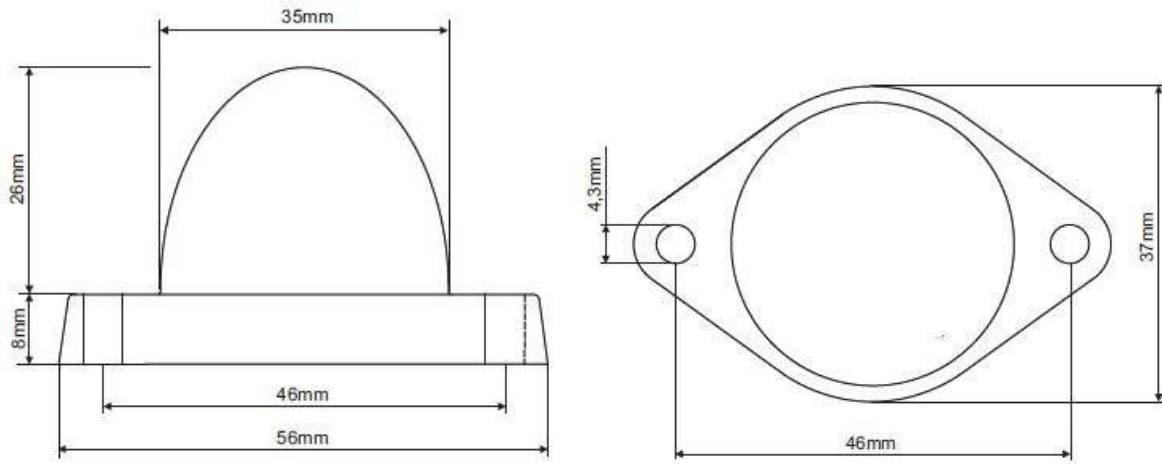
- **position** (white) light only
- **strobe** (white) light only
- **position & strobe** light at the same time

All those features are nicely fitted in **water** and **vibration resistant** monolith capsule. The lamp is having **low weight** and **low power consumption** comparing to classic type bulb lamps.

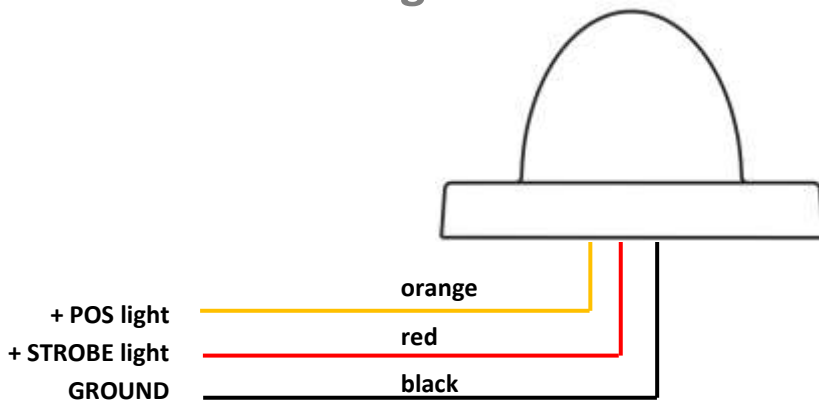
Technical Data

Position light	YES (white)
Strobe light	YES (white)
Operation voltage range	11,8 V - 14,8 V
Dimensions	56 mm x 37 mm x 34 mm
Weight	50 g
Operation temperature range	- 35°C to + 60°C
Current - position light	0,4 A
Current - strobe light	3,4 A in peak
Input power - position light	5 W
Input power - strobe light	40 W in peak
Position light angle	140°
Position light luminosity	450 lm
Strobe light luminosity	2000 lm
Strobe light frequency	120 flashes/min
Wiring requirement	0,5 mm ² cable
Encapsulation	Monolith of UV resistant epoxy resin
Strobe control unit	Lamp built in
Reverse polarity protection	YES
Vibration resistance	YES
Water resistance	YES
Warranty	2 years

Drawing



Connection Diagram



Light Distribution

