



DATA SHEET

Red Eye

Beacon LED Light

General information

The **Red Eye** lamp is **LED beacon/recognition light**. It is designed for LSA, Ultralight, KIT and Experimental aircraft.

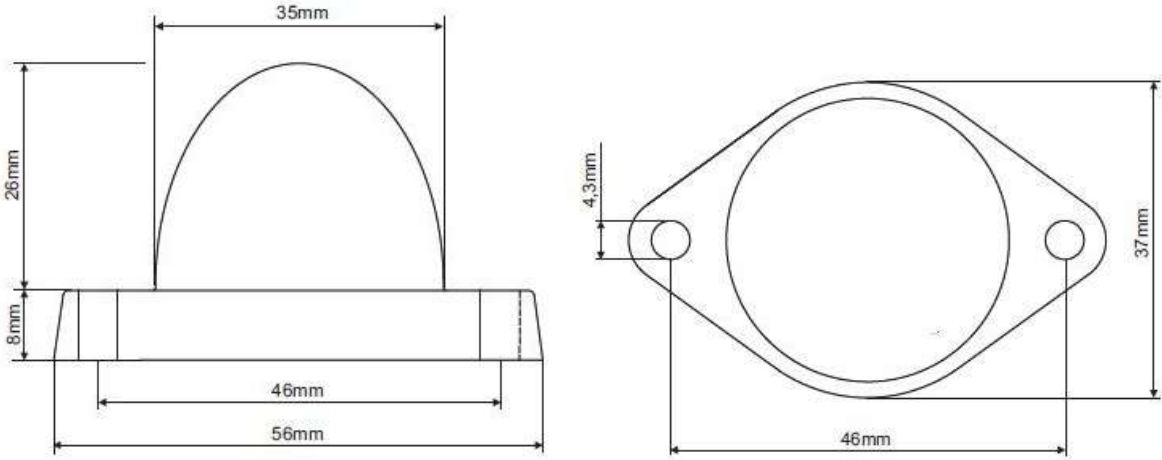
The **Red Eye** is flashing with **red light** and is the light nicely fitted in **water** and **vibration resistant** monolith capsule. The lamp is having **low weight** and **low power consumption** comparing to classic type bulb lamps.

The light is very compact and efficient, always ensuring you to be clearly visible in the air and on the ground.

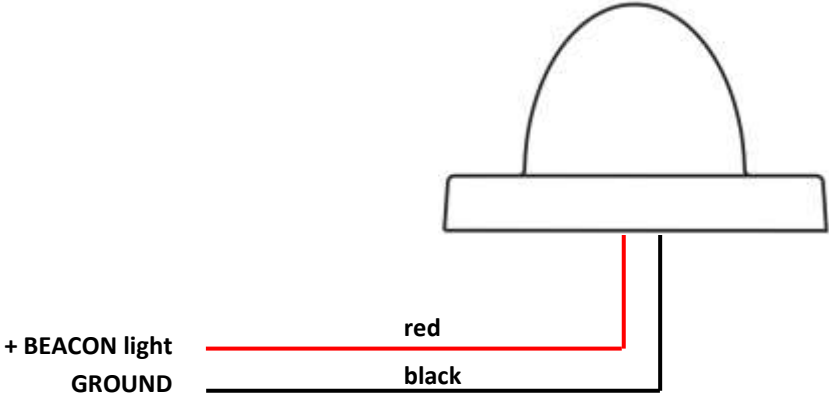
Technical Data

Beacon light color	RED
Operation voltage range	11,8 V - 14,8 V
Dimensions	56 mm x 37 mm x 34 mm
Weight	50 g
Operation temperature range	- 35°C to + 60°C
Current	3,4 A in peak
Input power	40 W in peak
Light angle	360°
Light luminosity	2000 lm
Flash frequency	120 flashes/min
Wiring requirement	0,5 mm ² cable
Encapsulation	Monolith of UV resistant epoxy resin
Flash control unit	Lamp built in
Reverse polarity protection	YES
Vibration resistance	YES
Water resistance	YES
Warranty	2 years

Drawing



Connection Diagram



Light Distribution

